



STL K-Force 47" Linear Special Edition

SUMMARY:

With super bright Linear design, 132 powerful Generation III LEDs, and Slick Black coating, the STL K-Force® 47" Linear Special Edition is the brightest LED lightbar on the market today.

- Black Casing-Special Edition Lightbar
- Powered by 12V
- Weather-proof housing
- Double-layer aluminum alloy board
- 132 Generation III 1-watt LEDs
- Linear optics
- LED take-down and alley lights
- Built in amber arrow stick
- Arrow stick directions: right, left, center out, and 2 center 4 out
- 15 available flash patterns
- Non-volatile memory recalls last flash pattern
- Lifespan of up to 100,000 hours
- Includes [STL Supreme Control switch box with P&P SERVICEABILITY!](#)
- Includes 13 feet of cable to switch box, 8 feet of power cable, and 8 feet of auxiliary cable
- Includes gutter brackets for mounting
- Dimensions: 47" L x 4" H x 12" D
- 7 day money back guarantee
- 5 year warranty*

*Please test **all** products prior to installation to ensure proper function.

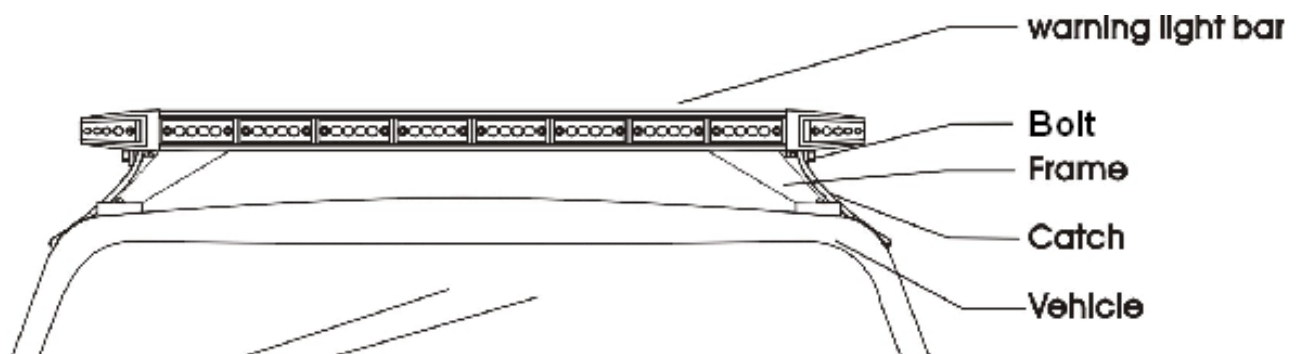
*Please note: Per the limited warranty, accurate installation of STL products requires the installer to have a good understanding of automotive electronics, procedures, and systems. STL products are of professional grade and professional installation is highly encouraged.

Instruction Manual:

1. Place the full light bar on the top of your vehicle and adjust the feet to fit your vehicle.
2. Attach the gutter mount bracket to the light bar using the bolt and tighten the bolt until your light bar is secure.
3. Once the light bar is secure, drill the bracket to the vehicle's gutter for a more secure hold.
4. Wire your power cables (free Red and Black cables) to your battery to power up your light bar.
5. You will want to ensure your grounding cable is taken directly to the negative terminal of your battery to avoid any feedback which may disrupt your lightbar system.
6. Connect your Lightbar harness or, if you required an extension cable, into your STL Supreme Control.

STL Supreme Controller:

1. The "STL" on the Supreme Control Box will light up when the switch box is turned on and ready for operation.
2. The Lever switch will feature three positions from left to right; OFF, Auxiliary Power, All On.
3. The red and blue cables originating from the STL Supreme Control box are auxiliary cables able to sustain up to 10-amps of additional lighting. These are simply POWER OUT.
4. The LED display will show the pattern of the light bar that is currently flashing.
5. The Take Down and Alley buttons will allow for a Steady Burn or a single Flash Pattern for their respective function.
6. The STL Supreme Controller, like the rest of our P&P Switch boxes, will feature the PCB, Flasher, and programming for your STL Lightbar. This Switch box must remain attached in order for proper functionality of your unit.
7. See below pictures for further assistance.





STL

Lighting The Way

FLASH

WARN

←

↔

→

↻

ON
OFF
ON

ON
OFF
ON

TAKE DOWN

ALERT

SpeedTech Lights Inc